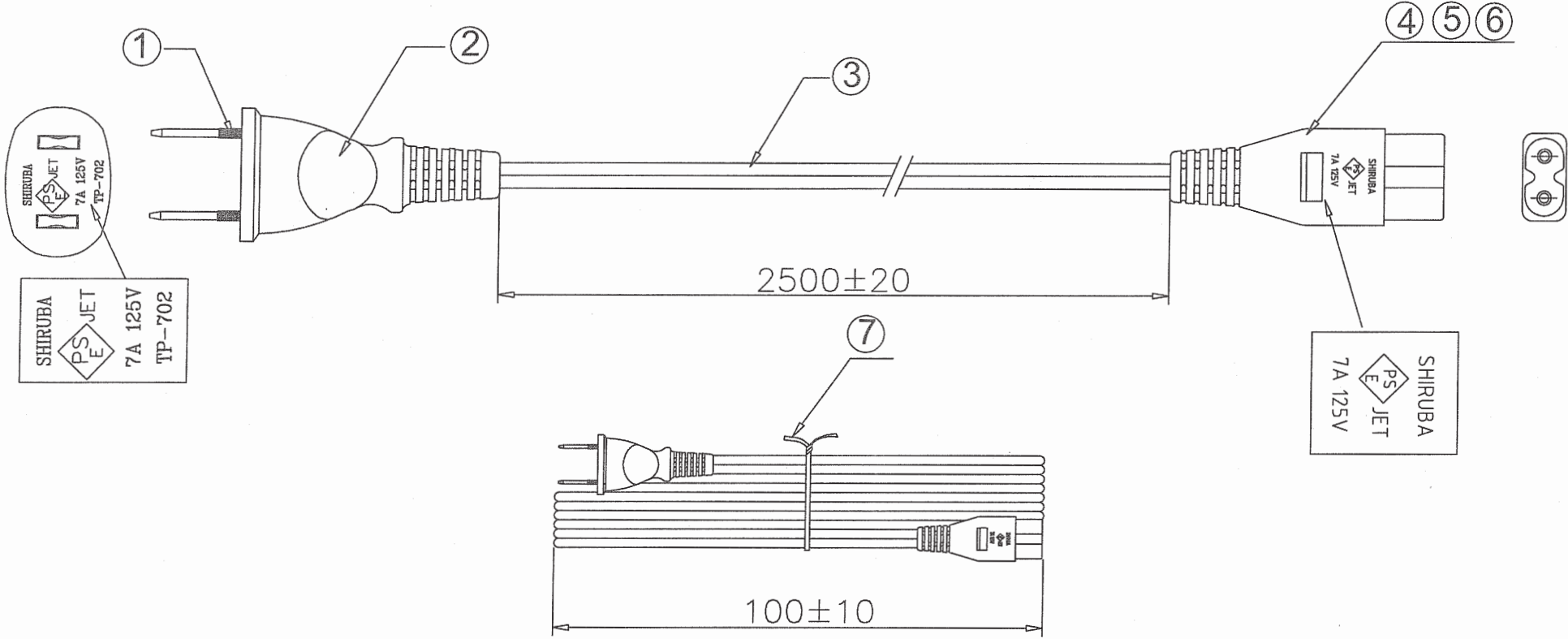



| REVISIONS | | | |
|-----------|-----------------|-------|-------------|
| VER. | DESCRIPTION | SIN. | DATE |
| 0.0 | INITIAL RELEASE | K.L.F | Apr 27,2016 |



| | | | |
|------|------------|------|---|
| ⑦ | CABLE TIE | 1PCS | 15CM 黑色双面PE扎带 |
| ⑥ | CONNECTOR | 1PCS | TP-218(7A 125V),60P PVC, BLACK |
| ⑤ | INNER BODY | 1 PC | 8字尾内架 |
| ④ | TERMINAL | 2PCS | Ø2.4, 0型插座端子 |
| ③ | CABLE | 1PCS | PSE JET VFF 2CX0.75mm ² BLACK 油印字: <PS>E JET SHIRUBA VFF 0.75mm ² -F- 制造年度 |
| ② | PLUG | 1PCS | TP-702(7A 125V),60P PVC UL94V-0,耐热75°C BLACK |
| ① | TERMINAL | 2PCS | T-MARK黑色半绝缘端子 |
| ITEM | PART NAME | Q'TY | DESCRIPTION |

| | |
|---|--------------------|
| UNLESS OTHERWISE SPECIFIED TOLERANCE: X. ±0.5 ANGLES: ±2° X. X ±0.3 X. X X ±0.05 DO NOT SCALE DRAWING | |
| DRAWN BY | H.Q |
| CHECKED BY | <i>[Signature]</i> |
| APPROVED BY | <i>[Signature]</i> |
| DWG NO. | CD-16042701 |


欣鼎好科技(深圳)有限公司
TIN HOW ELECTRONICS CO., LTD.

TITLE <PS>E JET VFF 2CX0.75mm² 2500MM BLACK TP-702+TP-218

| | | |
|--------|---------|------------------------|
| SIZE | UNIT mm | PART NO. |
| SCALE | FREE | THIRD ANGLE PROJECTION |
| CUST.: | 艾铠昂 | CUST. P/N: |
| | | PAGE 10F 1 |
| | | DATE Apr 27,2016 |